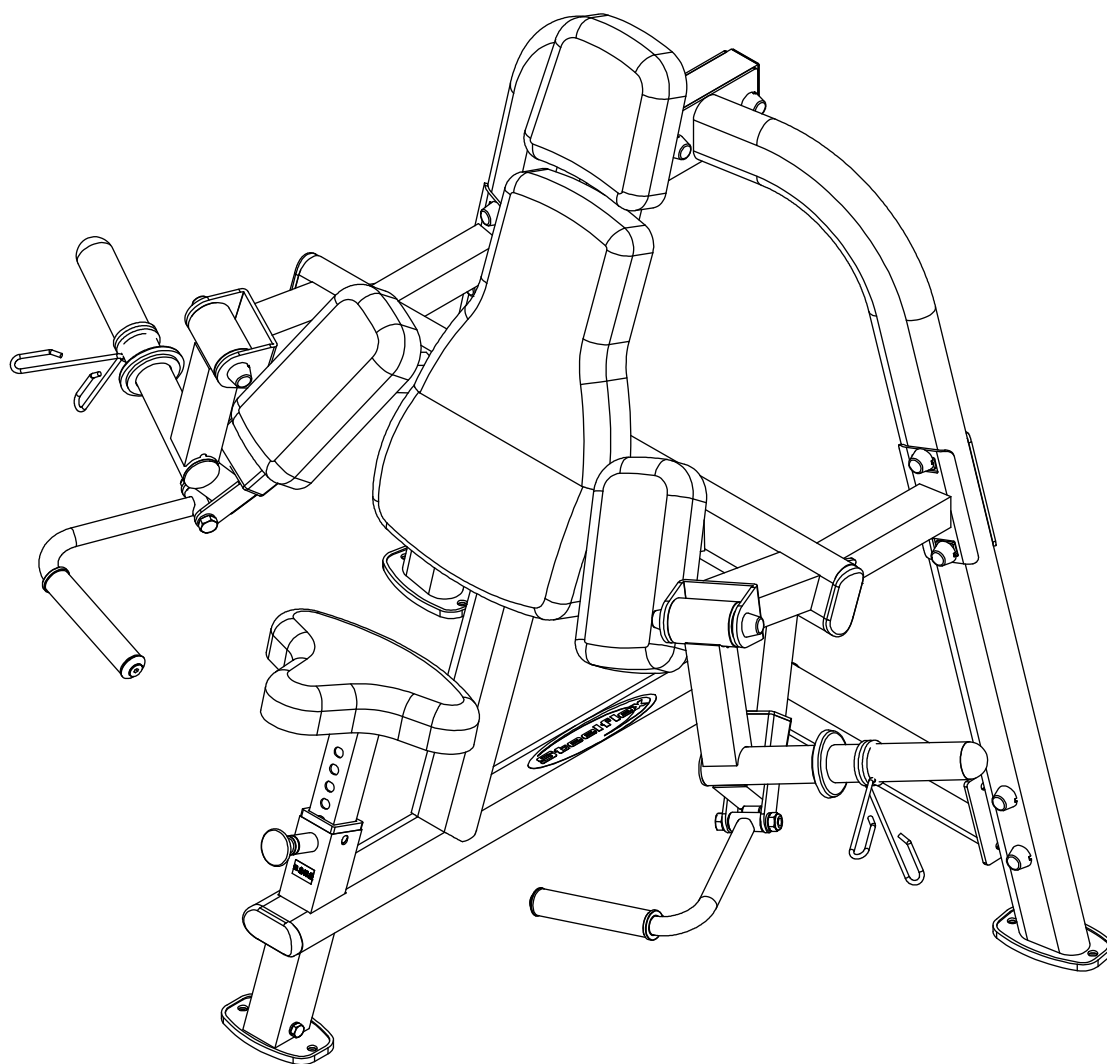


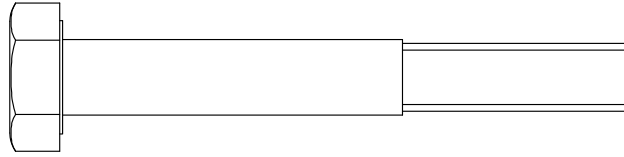
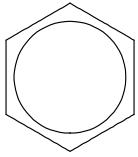
PLBC



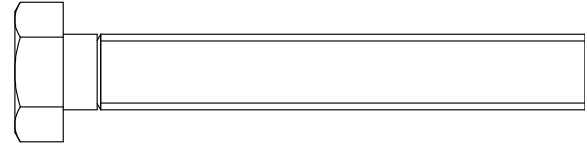
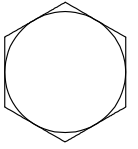
Assembly & Instructions
OWNER'S & MANUAL

PLBC HARDWARE

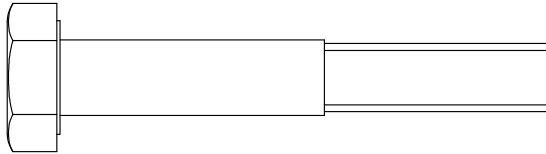
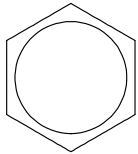
(shown in actual size)



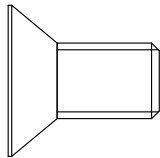
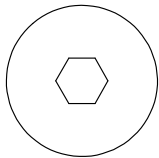
A1. M10x75 HEX HEAD SCREW...1PCS (Pre-installed)



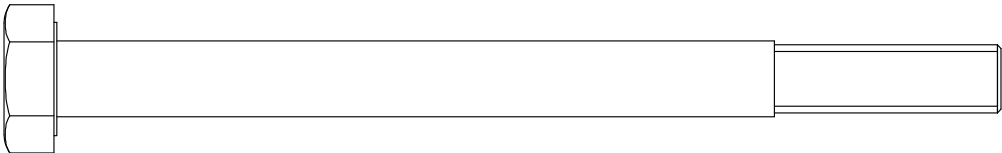
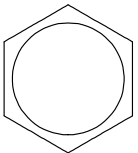
A2. M10x70 HEX HEAD SCREW...14PCS



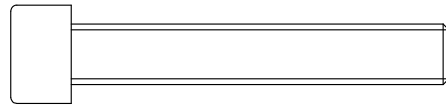
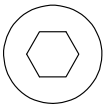
A3. M10x65 HEX HEAD SCREW(PARTIAL THREAD)...1PCS



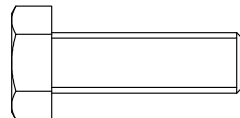
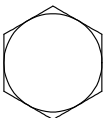
A4. M10x20 TAPER SCREW(FULL THREAD)...2PCS (Pre-installed)



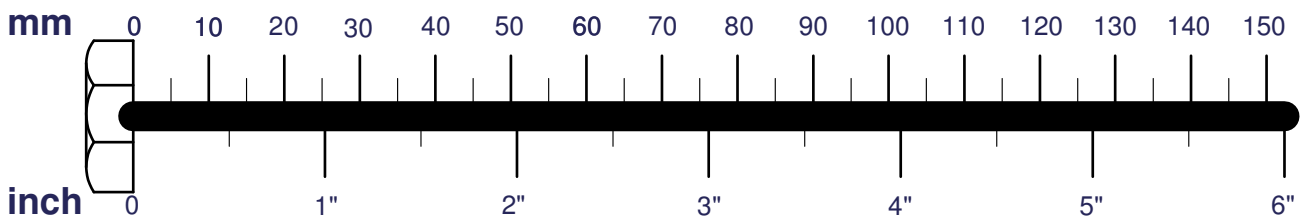
A5. M10x125 HEX HEAD SCREW (PARTIAL THERAD)...2PCS



A6. M8x50 SOCKET SCREW(FULL THREAD)...4PCS

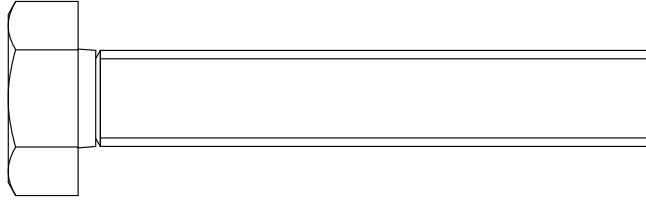
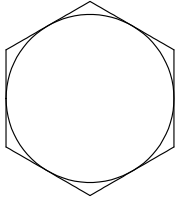


A7. M8x25 HEX HEAD SCREW...13PCS

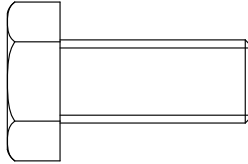
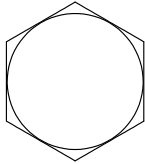


PLBC HARDWARE

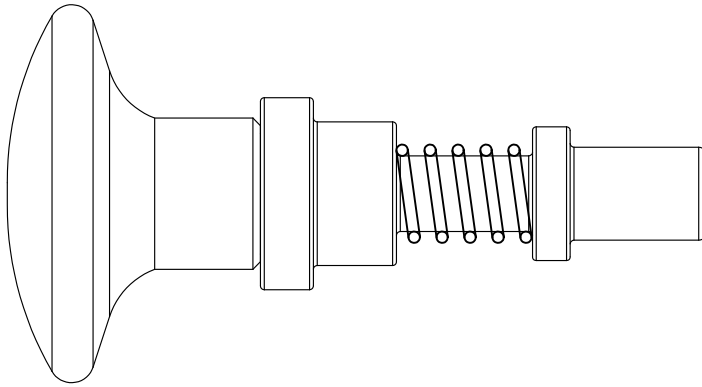
(shown in actual size)



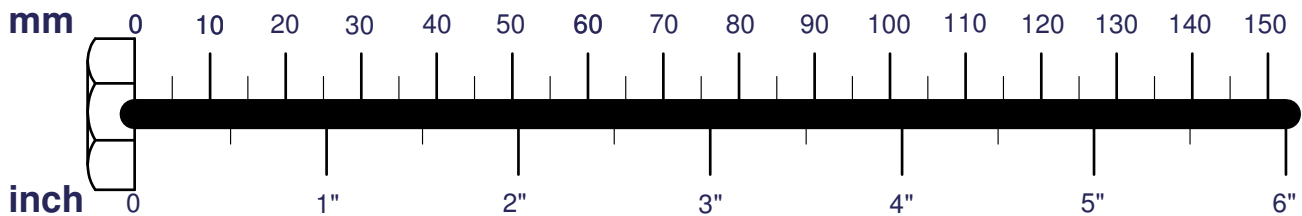
A8. 1/2" X 3" HEX HEAD SCREW...2PCS



A9. M12 X 25 HEX HEAD SCREW...2PCS

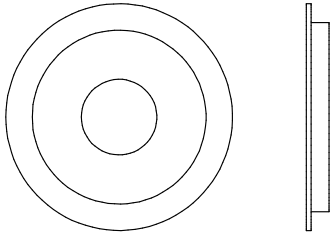


A10. 1/2"x38L POP PIN (8250-065G)...1PCS (Pre-installed)

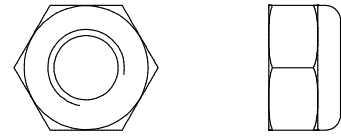


PLBC HARDWARE

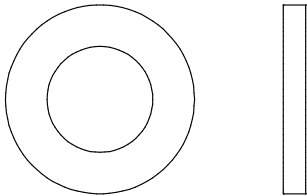
(shown in actual size)



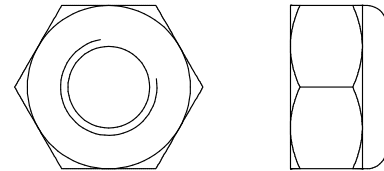
C1. M10 PLATE WASHER(Ø30)...32PCS



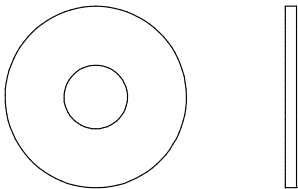
B1. M10 NYLON LOCK NUT...18PCS
(Pre-installed One)



C2. 1/2 WASHER(Ø25)...4PCS



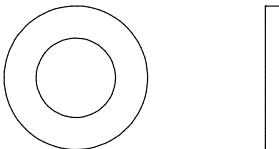
B2. 1/2" NYLON LOCK NUT...2PCS



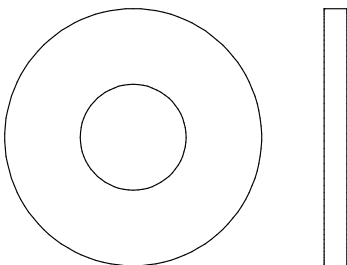
C3. M8 WASHER(Ø24)...13PCS



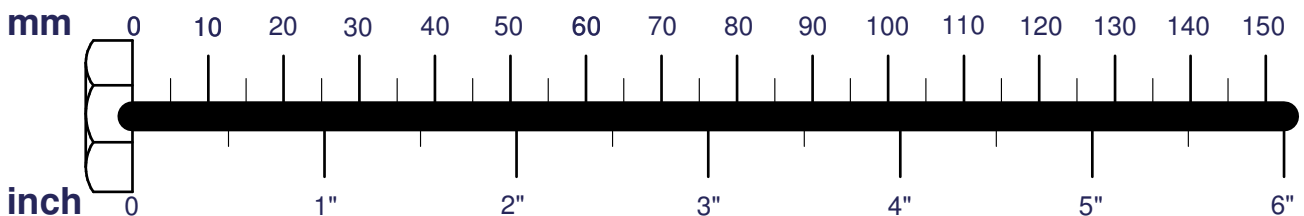
C4. M8 SPRING WASHER...13PCS



C5. M10 WASHER(Ø19)...2PCS (Pre-installed)

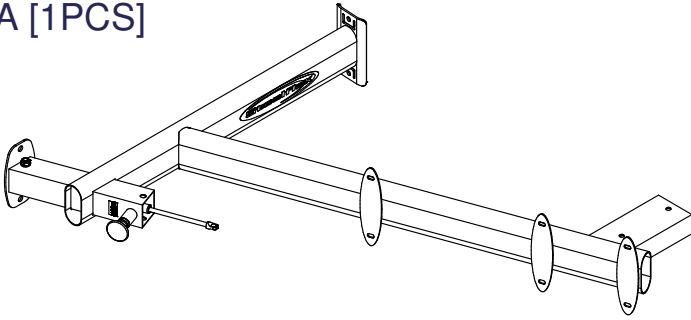


C6. M12 WASHER(Ø34)...2PCS

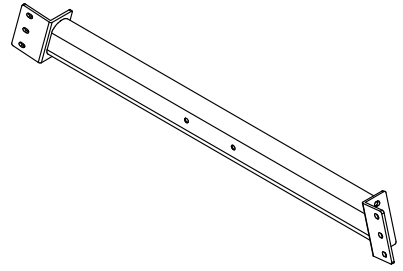


PLBC PARTS

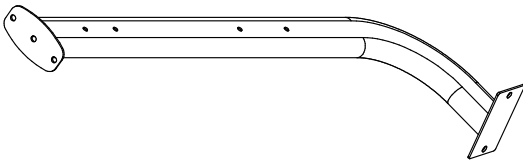
A [1PCS]



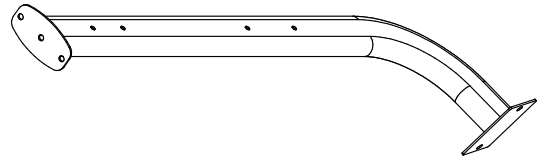
B [1PCS]



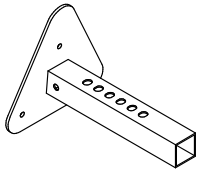
C [1PCS]



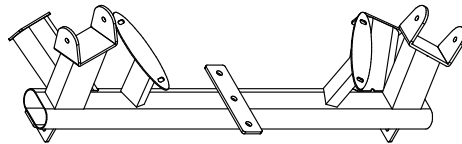
D [1PCS]



E [1PCS]



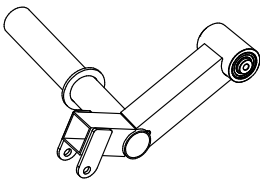
F [1PCS]



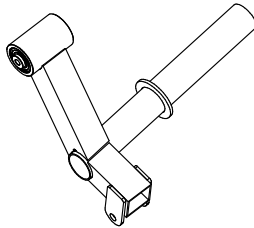
I [2PCS]



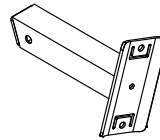
G [1PCS]



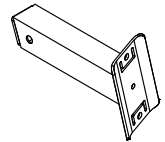
H [1PCS]



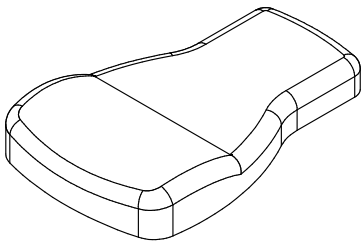
J [1PCS]



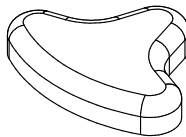
K [1PCS]



M [1PCS]
9111072



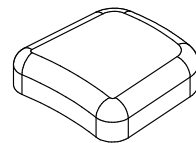
N [1PCS]
9144016



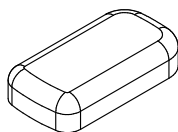
L [3PCS]



P [1PCS]
9131025



Q [2PCS]
9131037



PLBC PARTS

D1. End Closure (8130-273) pre-installed	[2PCS]
D2. Steel Casing (8530-009) pre-installed	[2PCS]
D3. End Cap (9211-087)	[2PCS]
D4. Ø50 End Cap (9211-020)	[2PCS]
D5. Ø50 ROUND End Cap (9211-074)	[2PCS]
D6. 50x100 End Cap (9211-014)	[1PCS]
D7. 50x100 Round End Cap (9211-114)	[4PCS]
D8. Rubber Dount (9310-016)	[2PCS]
D9. Rubber Insert (9310-076)	[3PCS]
D10. Block Rubber (9310-077)	[2PCS]
D11. Pinch Cock (OC-06)	[2PCS]
D12. Cap Sleeve (9212-026)	[32PCS]
D13. Co er Washer (8520-001) pre-installed	[4PCS]
D14. Bearing (8510-020) pre-installed	[4PCS]
D15. Steel Casing (8120-082) pre-installed	[4PCS]
D16. Foam Grip (9162-011) pre-installed	[2PCS]
D17. 60X60 Nylon Bushing (9211-047)	[1PCS]
D18. Hydraulic Seat Adjuster (8830-023) pre-installed	[1PCS]

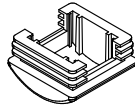
D1



D2



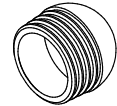
D3



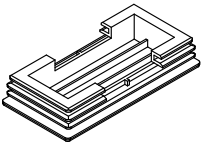
D4



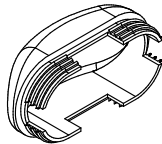
D5



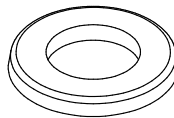
D6



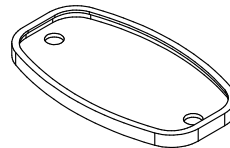
D7



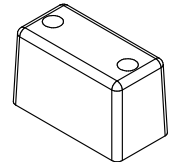
D8



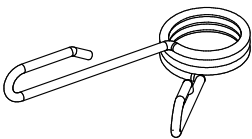
D9



D10



D11



D12



D13



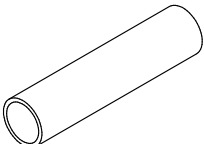
D14



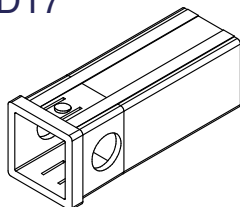
D15



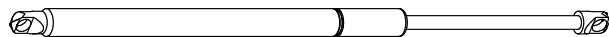
D16



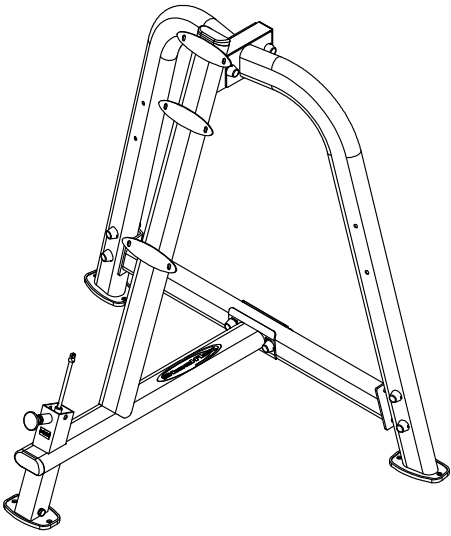
D17



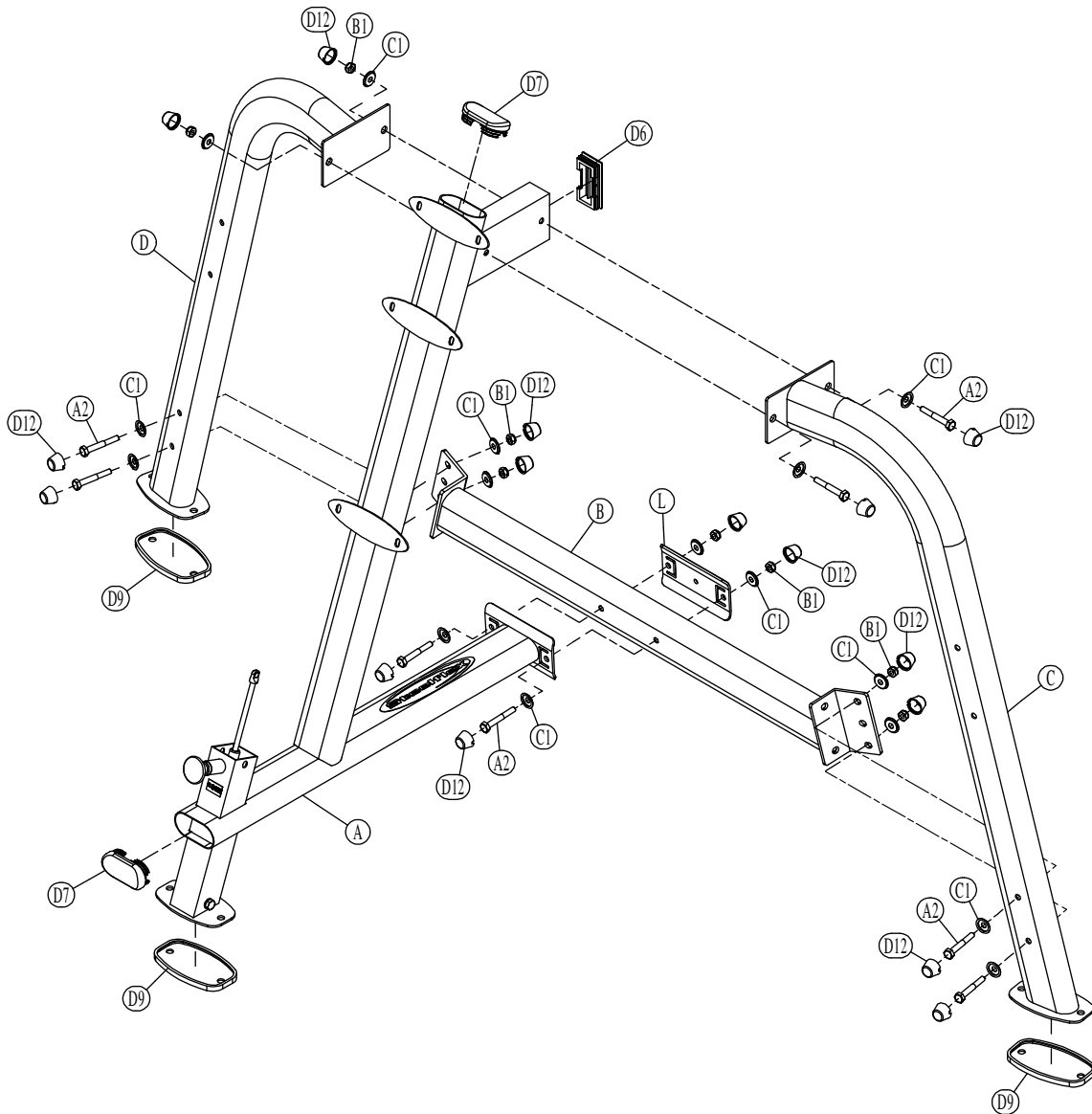
D18



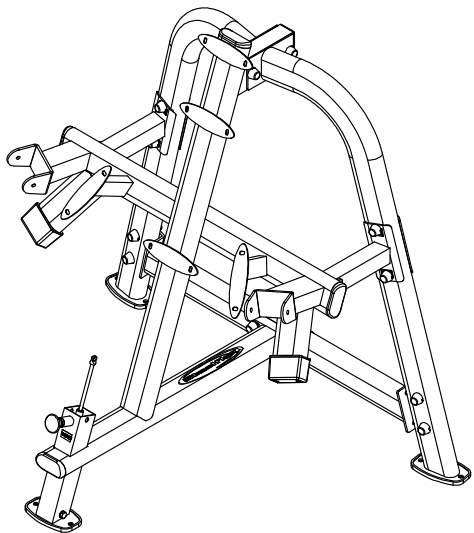
STEP
1



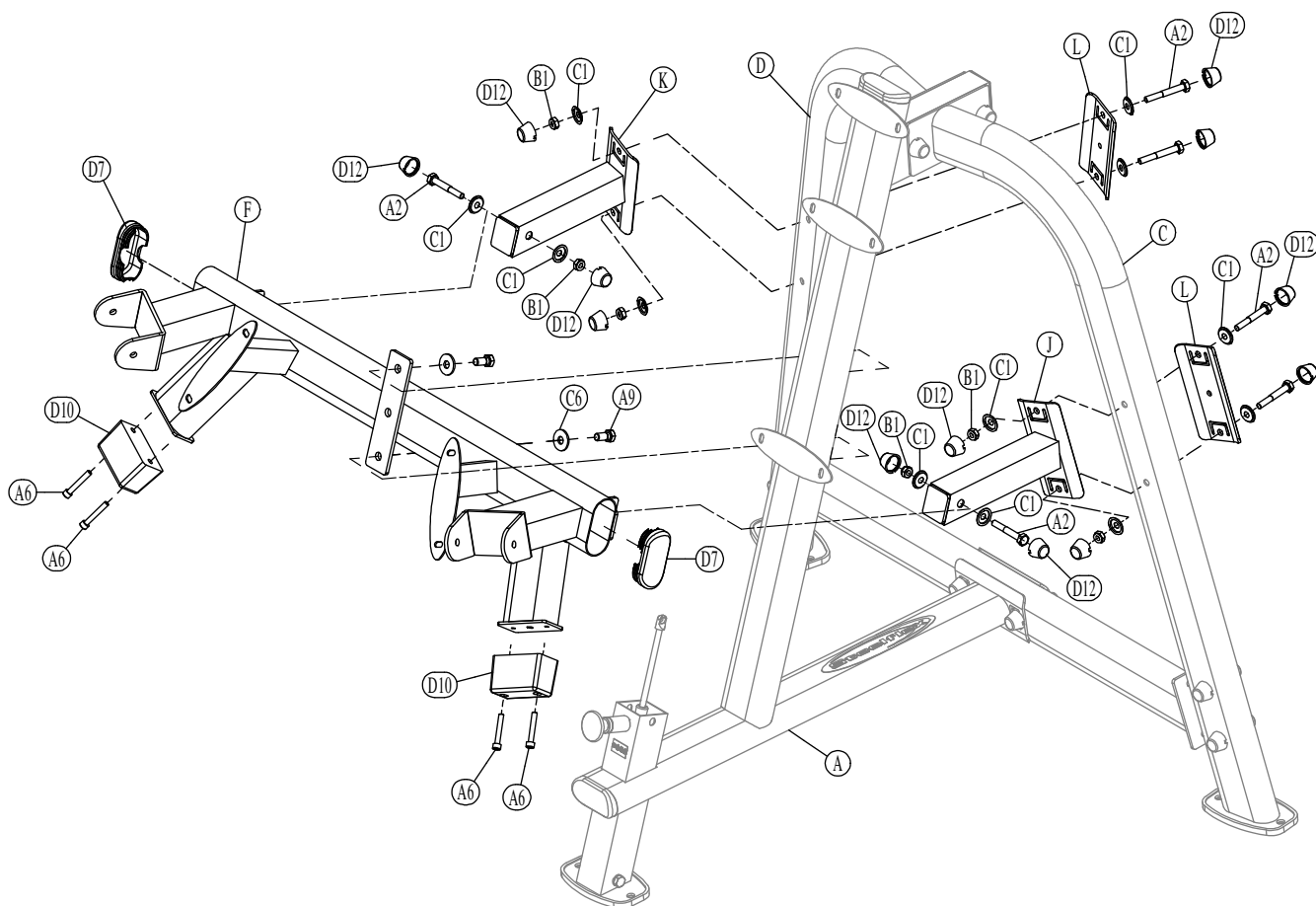
Above shows STEP 1 assembled and completed



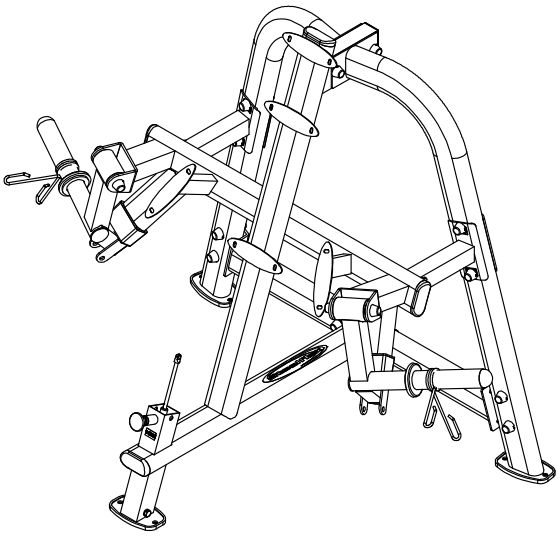
STEP
2



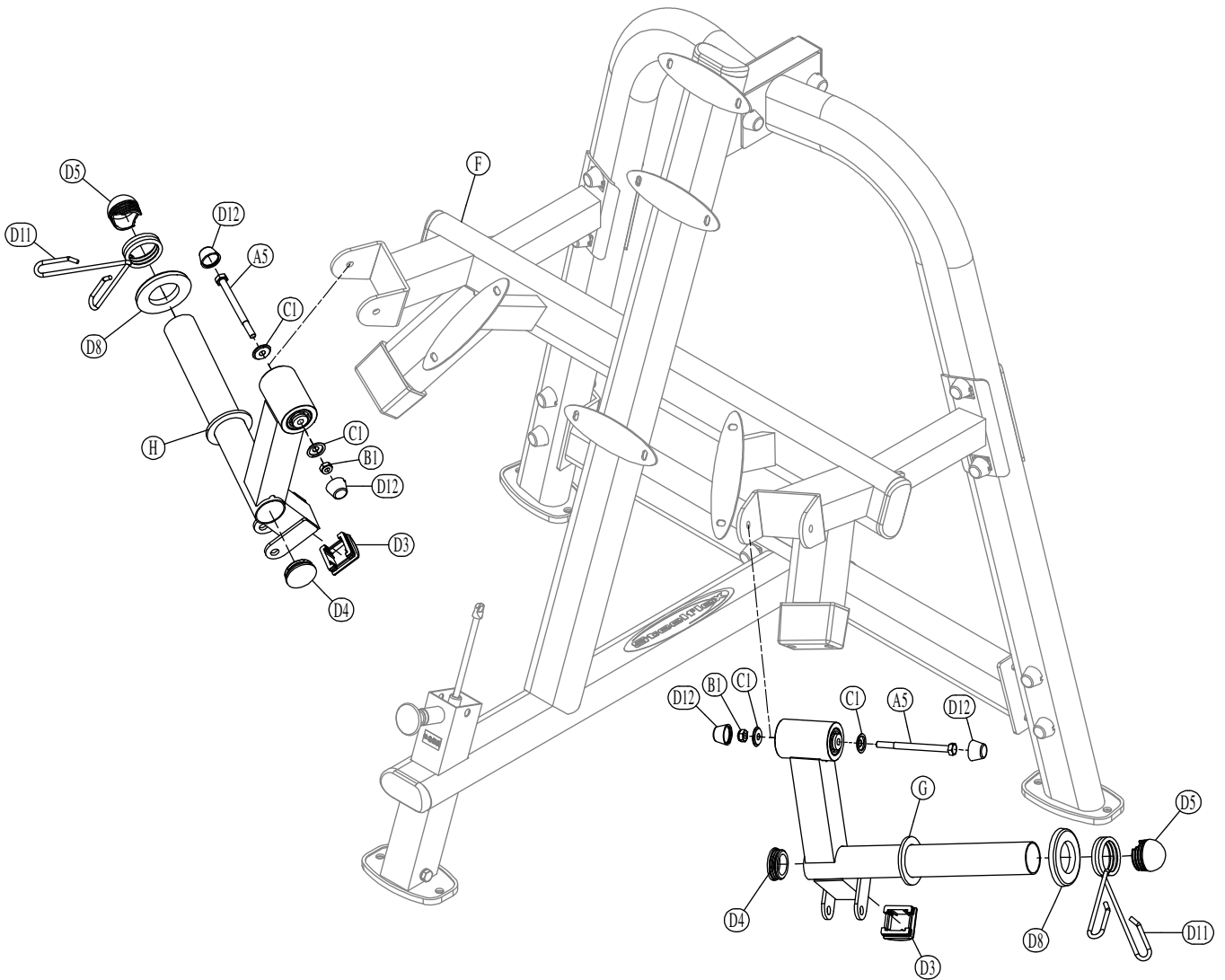
Above shows STEP 2
assembled and completed

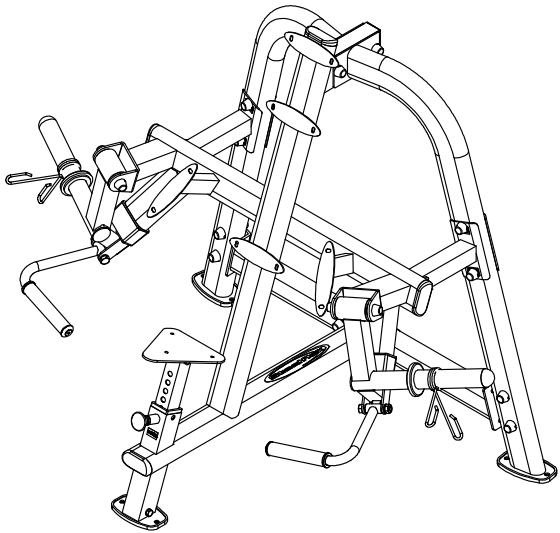


STEP
3

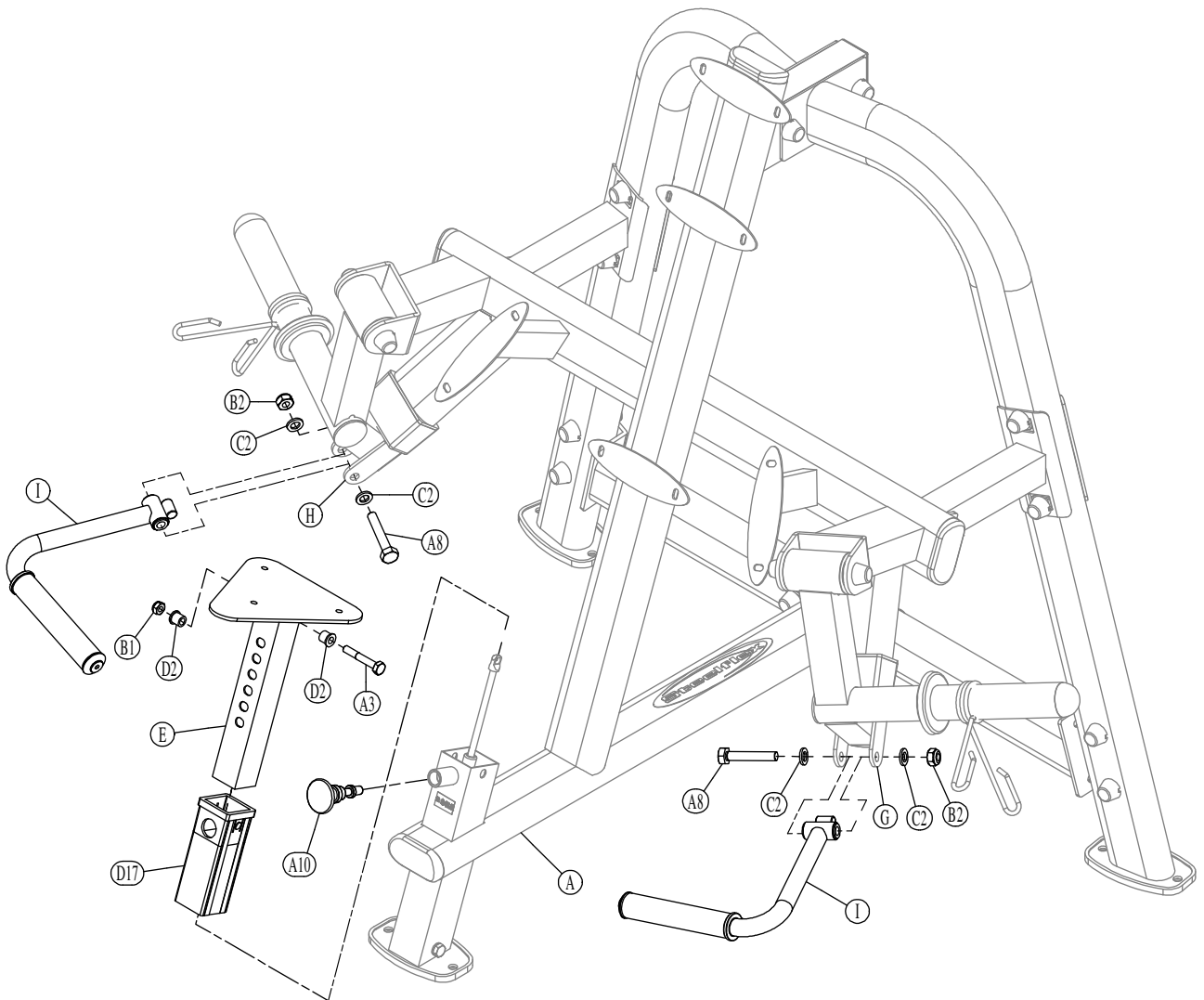


Above shows STEP 3 assembled and completed

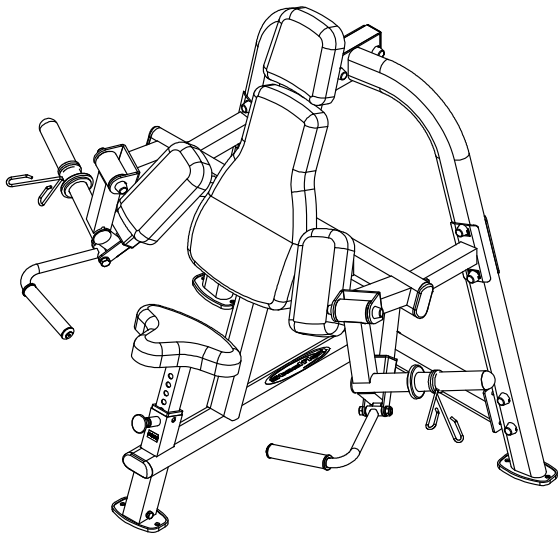




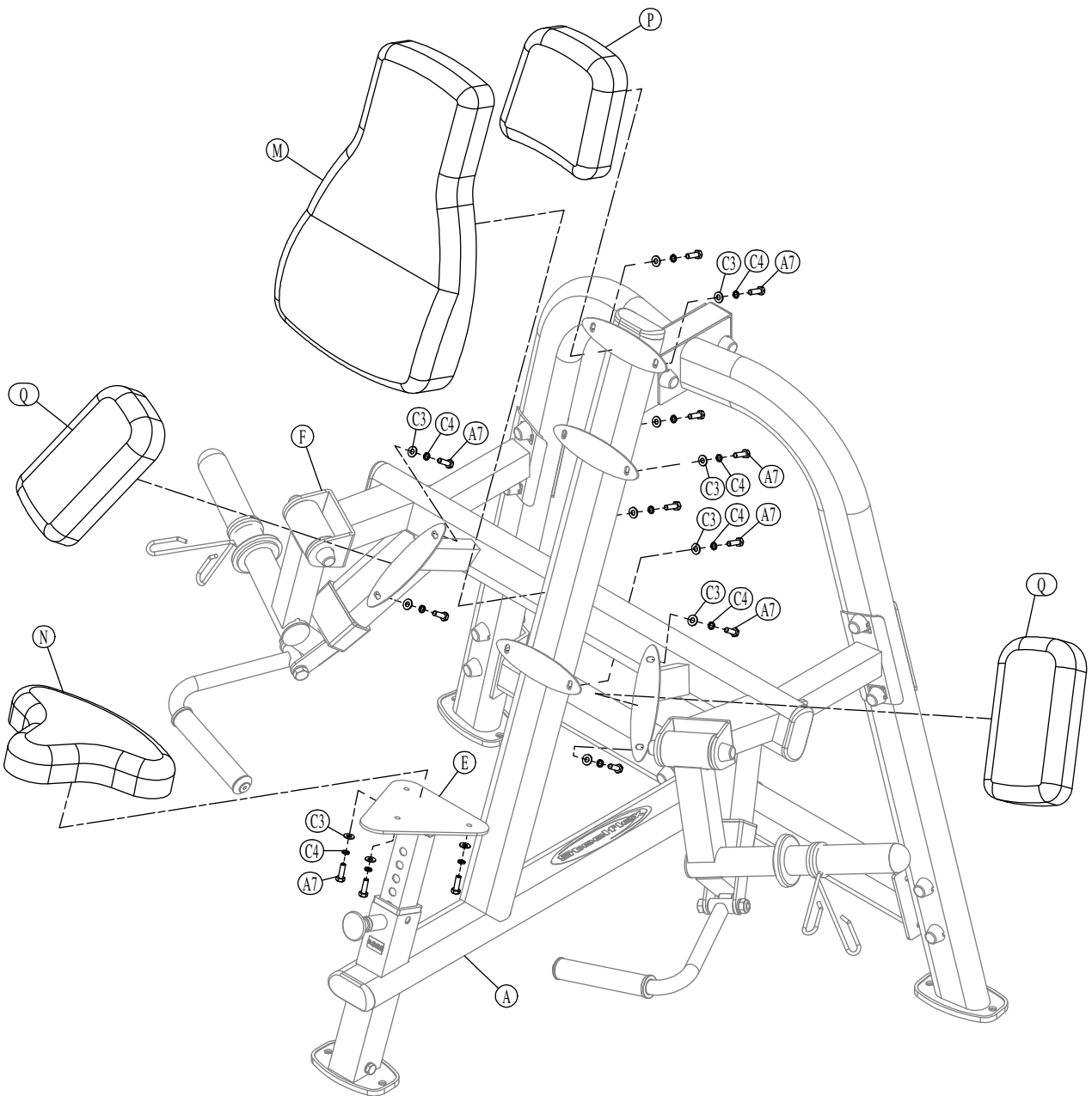
Above shows STEP 4 assembled and completed



STEP
5



Above shows STEP 5 assembled and completed



PLBC Exploded View

